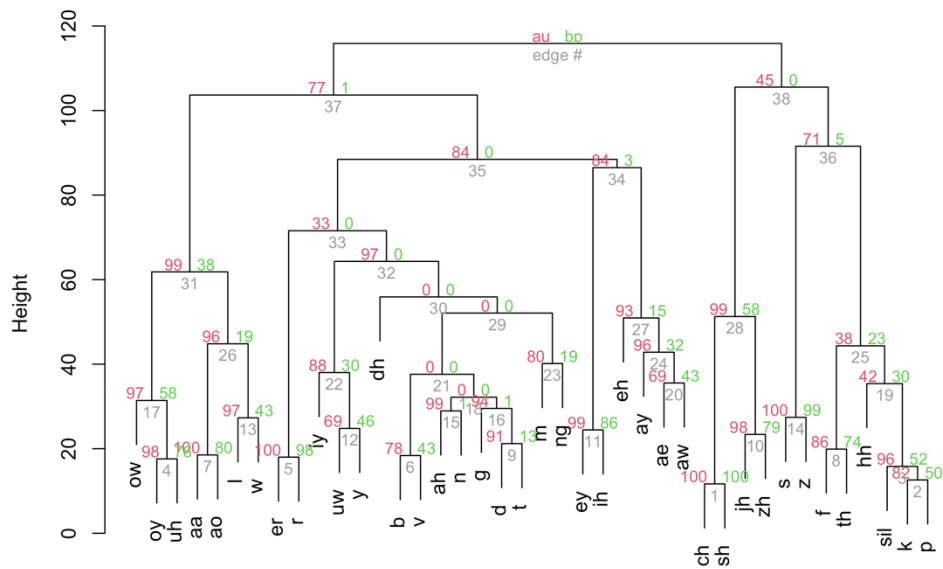


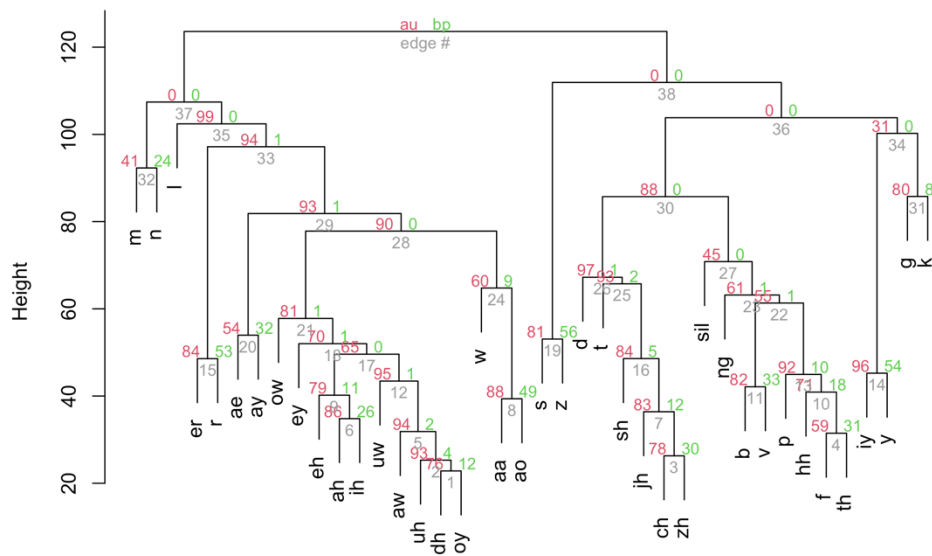
## Appendix B

### Dendrograms

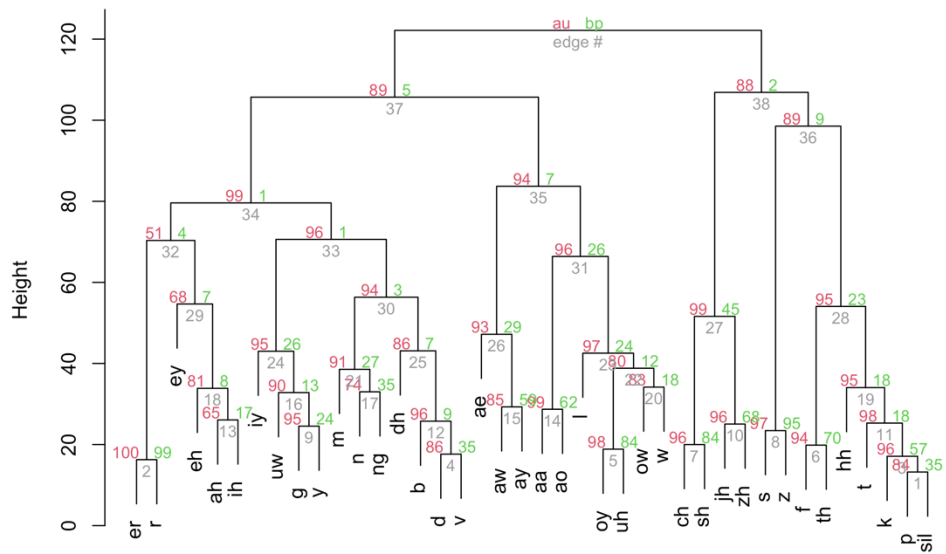
Note that the results of the cluster analyses using Widrow-Hoff and Temporal Difference weights are identical. To save space, here we present only the Widrow-Hoff-based results.



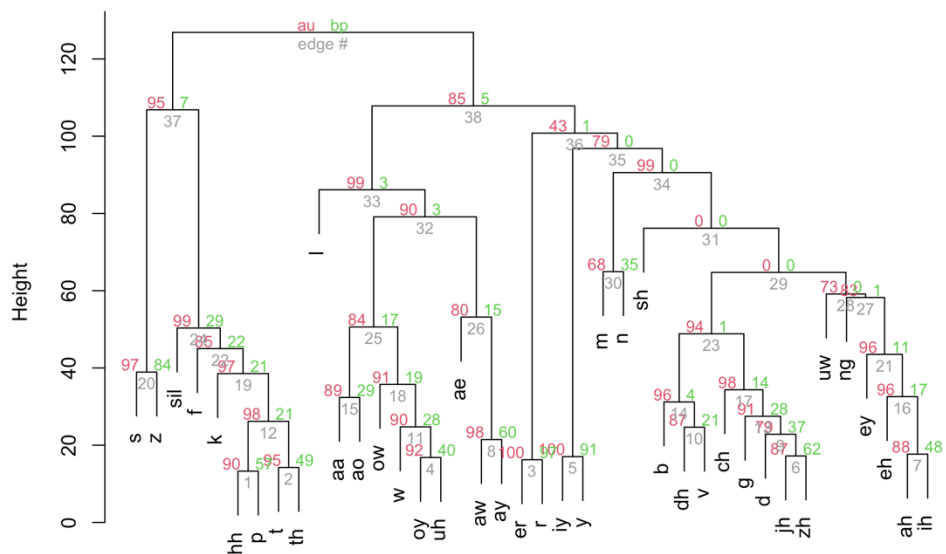
**Figure B-1.** Dendrogram of phone clustering using **Widrow-Hoff** weights from training on Random data.



**Figure B-2.** Dendrogram of phone clustering using **Memory-Based** probabilities from training on Random data.



**Figure B-3.** Dendrogram of phone clustering using **Widrow-Hoff** weights from training on Gaussian data.



**Figure B-4.** Dendrogram of phone clustering using **Memory-Based** probabilities from training on Gaussian data.